



65 Fahey Drive, Brampton Ontario L6R 0N8

Tel: 905-451 5180 web: www.canadaleds.com

LED MR16-HB 22 HIGH POWER LED SPOT LIGHT



HIGHLIGHTS

- Energy Consumption: 3.5W
- Light Output: up to 220 Lumens
- Life Time: 30,000 hours
- Input Voltage: 12V AC/DC

APPLICATION

- Retail stores,
- Hotels,
- Restaurants,
- Museums
- Art gallery lighting

High power LED optimizes light output 220 Lumens with only 3.5W energy consumption (Equivalent to 35W halogen), providing 40,000 hours lifetime and up to 80% in energy savings compared to a standard halogen

No UV or IR Radiation

RoHS compliant

Aluminum housing

Low heat

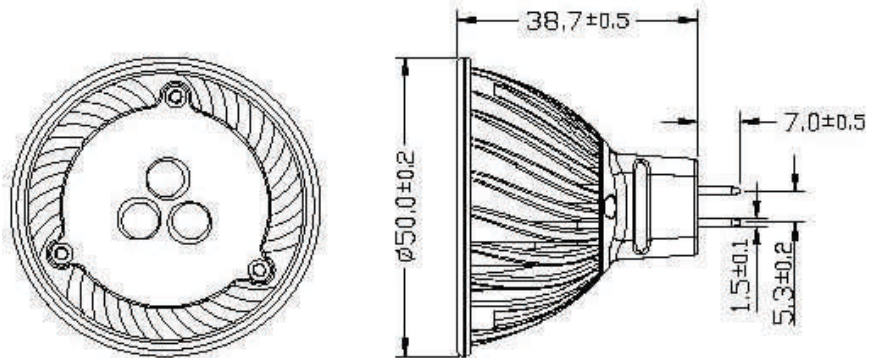
ORDERING INFORMATION

Product Code	Color	Color Temperature	Light Output
MR16-HB 22 CW	Cool White	6500 K	220 Lumens
MR16-HB 22 NW	Neutral White	4500 K	200 Lumens
MR16-HB 22 WW	Warm White	3000 K	140 Lumens



65 Fahey Drive, Brampton Ontario L6R 0N8
SPECIFICATIONS

Tel: 905-451 5180 web: www.canadaleds.com



TECHNICAL

Dimension: Ø 50 mm X 39 mm
Net Weight: 35 gm
Beam Angle: 38°
Base Type: 2-Pin G x 5.3
Rated Life Span: 30,000 Hours

ELECTRICAL

Input Voltage: 12 V AC/DC
Power Consumption: 3.5 W (+/- 0.3 W)
Frequency: 50/60 Hz

TEMPERATURE

Body Temperature: < 53° C
Operating Temperature: -20~ 40 ° C
Storage Temperature: -40~85 ° C

