



Web: [www.canadaleds.com](http://www.canadaleds.com)

## UNDERCABINET LIGHTING RG-SERIES



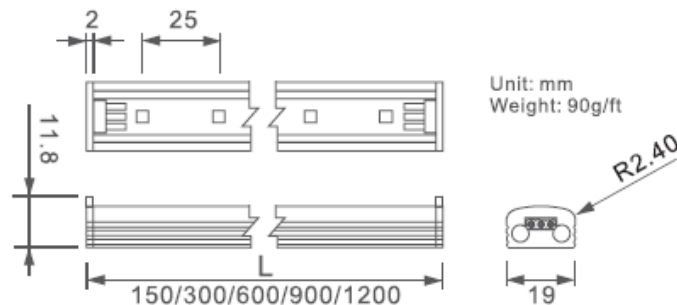
### Features:

- Modular Design
- Extendable, maximum 12 pcs (30 cm) per channel
- No dark Zones and seamless connection
- Built-in LED driver for stable uniform light output
- Built-in dimming circuit for brightness control.
- No polarity problem
- No UV/IR,
- Available lengths 15, 30, 60, 90 & 120 cms

### Application:

- Under cabinet
- Cabinets
- Book shelves
- Kitchen under cabinets
- Cupboard
- Show case
- Cove lighting

### Dimension:





Web: [www.canadaleds.com](http://www.canadaleds.com)

**Specification:**

Model No.	LED Color	Operating Voltage	Length	Total Power	Color Temp	Intensity	Viewing Angle
CL-L40115IA	Cool White	12V DC	15cm	1.65w	5000~6300 K	95~125 lm	110 °
CL-L40115IB	Warm White				2600~3000 K	68~90 lm	
CL-L40330IA	Cool White	12V DC	30cm	3.3 W	5000~6300 K	190~250 lm	110 °
CL-L40330IB	Warm White				2600~3000 K	135~180 lm	
CL-L40660IA	Cool White	12V DC	60cm	6.6 W	5000~6300 K	380~500 lm	110 °
CL-L40660IB	Warm White				2600~3000 K	270~360 lm	
CL-L40990IA	Cool White	12V DC	90cm	9.9 W	5000~6300 K	570~750 lm	110 °
CL-L40990IB	Warm White				2600~3000 K	405~540 lm	
CL-L412120IA	Cool White	12V DC	120cm	13.2 W	5000~6300 K	760~1000 lm	110 °
CL-L412120IB	Warm White				2600~3000 K	540~720 lm	

**Accessories**

No.	Model	Description
1	CLP	Light Bar seamless type connector
2	CL-L25	25cm connection cable between Light Bar
	CL-L50	50cm connection cable between Light Bar
	CL-L100	100cm connection cable between Light Bar
	CL-L150	150cm connection cable between Light Bar
3	CL- UJ	U-shape jumper between Light Bar
4	CL-L30	30cm power line for Light Bar
5	CL-L50RA	50cm right angle power line for Light Bar
	CL-L183RA	183cm right angle power line for Light Bar
6	CL-M1	Flat type mounting clip (including screw)
7	CL-DCC4000	Dimmer Box
8	CL-PPJ	Cable-to-cable extension joint
9	CL-MCJ	Multiple cable-to-cable extension joint
10	CL-PL/SW	Bar-to-adaptor connection cable with inline switch
11	CL-LP/FM	Extension Joint Cable



**Power Supplies:**



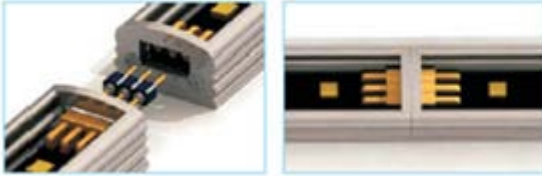
Desk Top Type



Hardwire type

Illustrations for connection

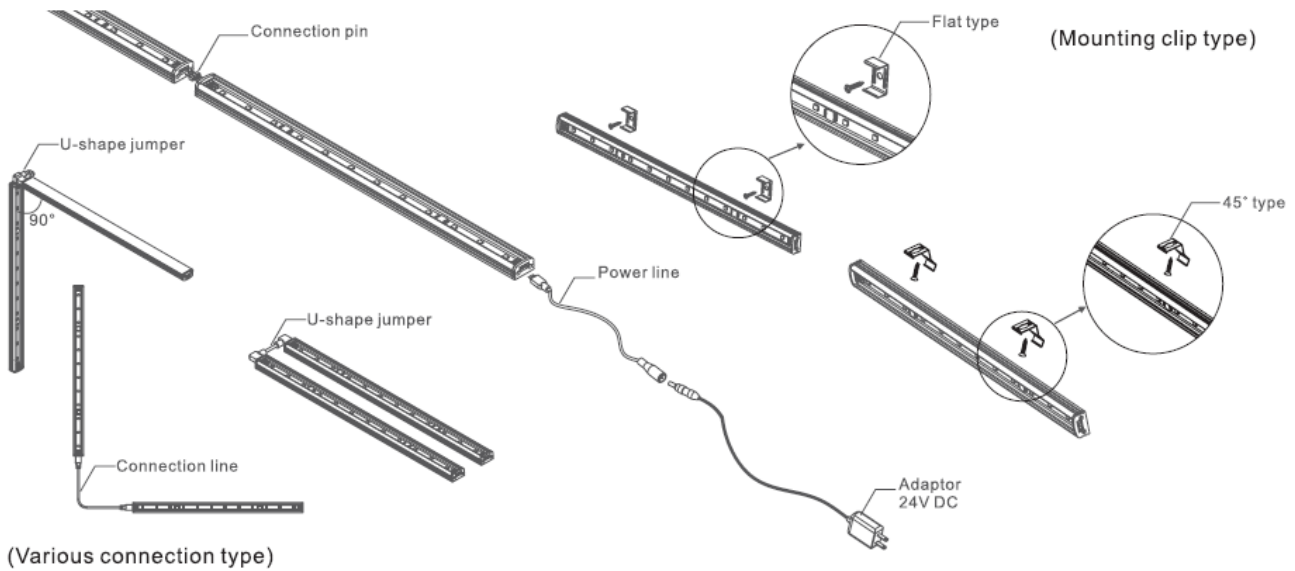
(A) Seamless type



(B) Cable type



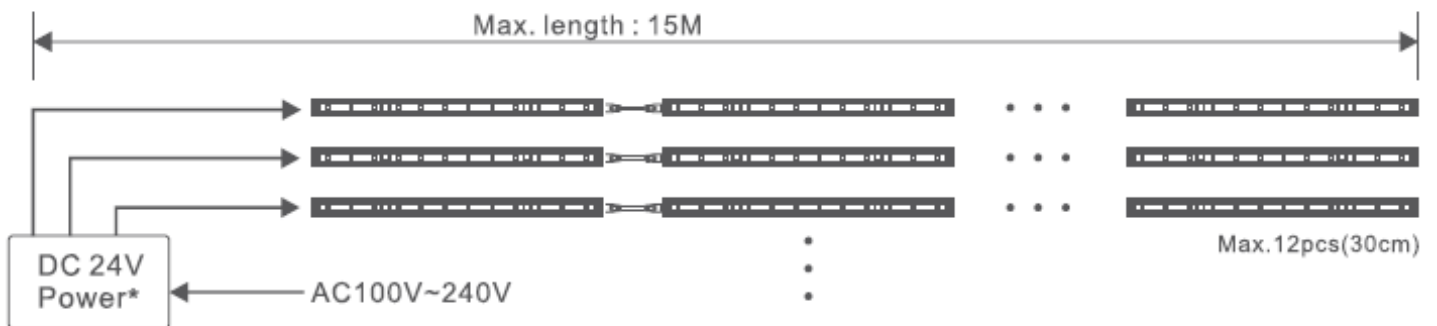
## Installation Guide



## ■ Single channel Application



## ■ Multiple channel Application



\*DC 24V power selection guide: Total wattage > (LightBar total wattage ) \* 1.3

### Connection Details:

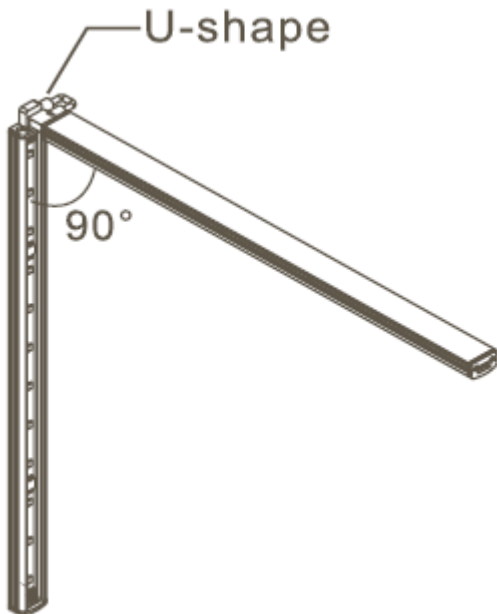
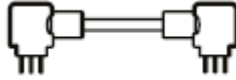
CL-L Series Medium range bar-to-bar connection cable



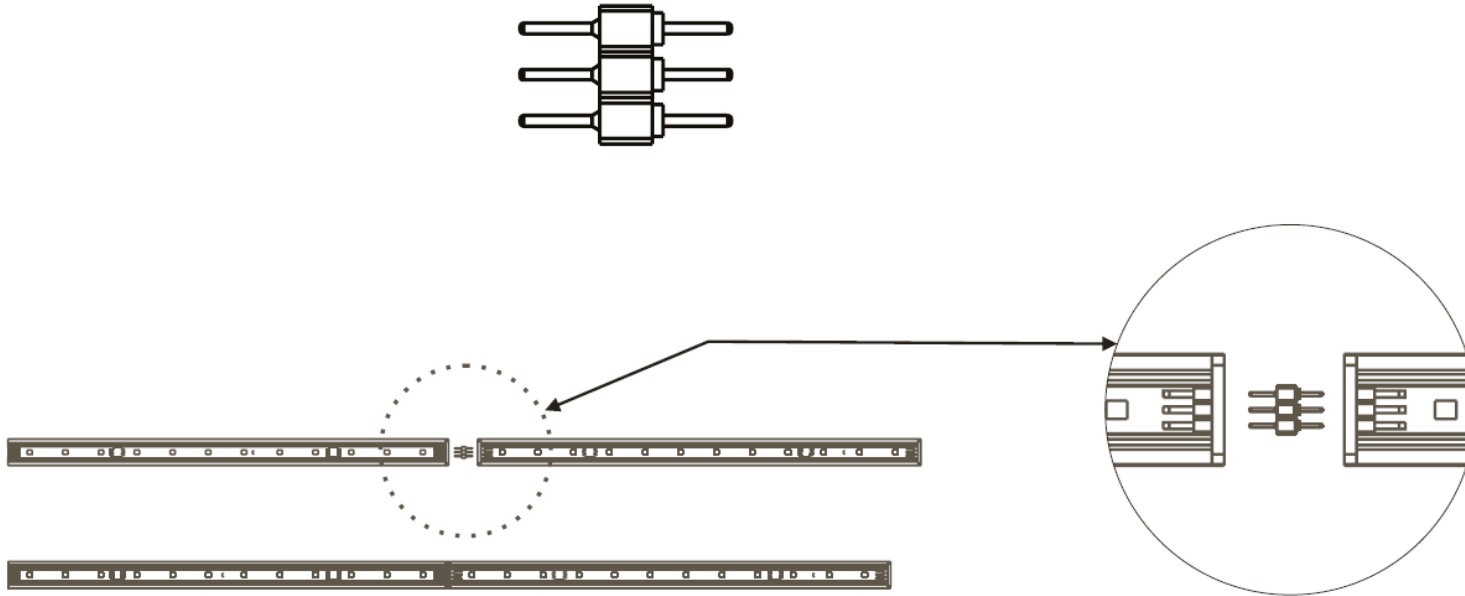


Web: [www.canadaleds.com](http://www.canadaleds.com)

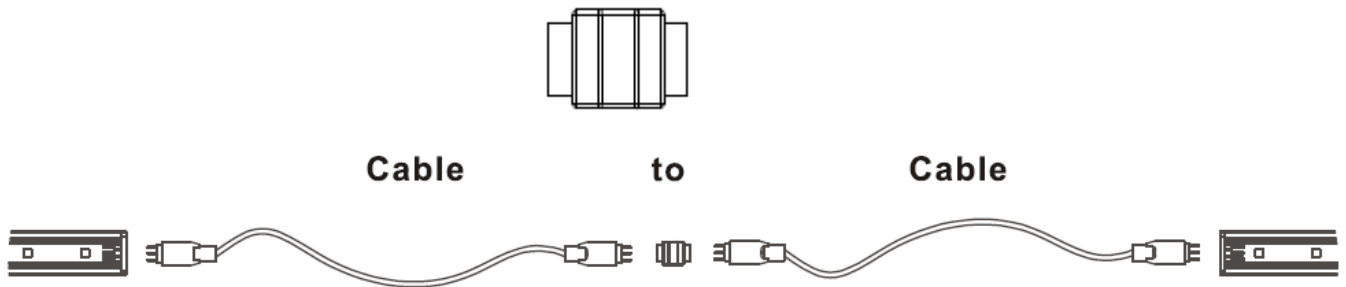
CL-UJ series  
Compact Bar-To-Bar Connection cable



**CLP-Seamless Bar-To-Bar connector**



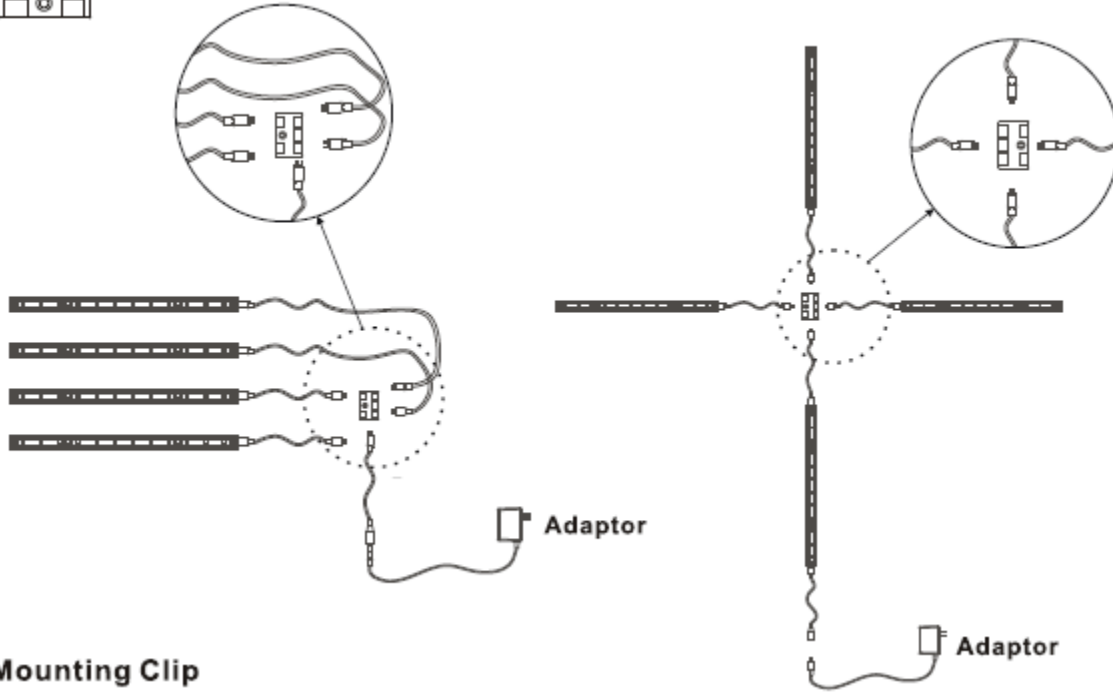
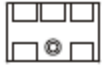
**CL-PPJ Cable-To-Cable Extension Joint**



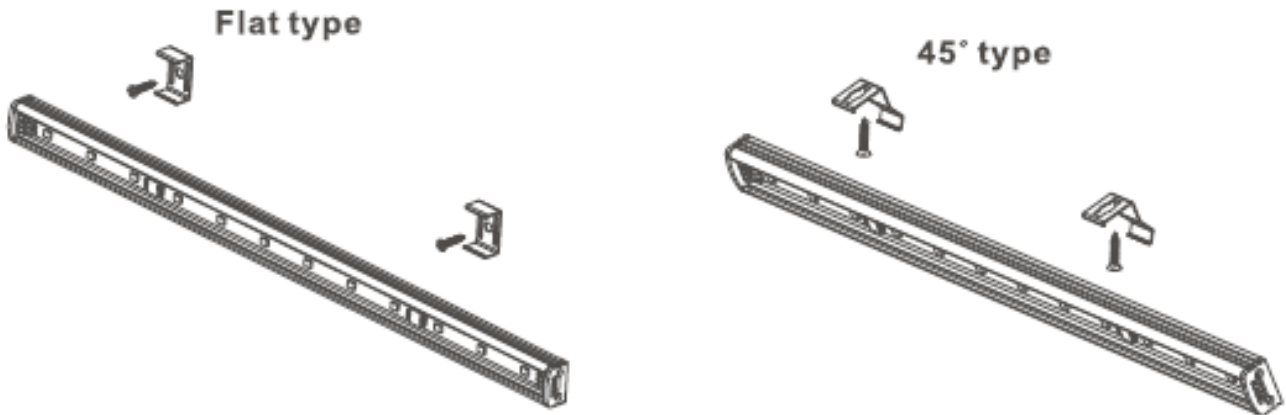
**CL-LP/FM joint Extension Cable**



## CL-MCJ Multiple cable-To-cable extension joint



## Mounting Clip





Web: [www.canadaleds.com](http://www.canadaleds.com)

### Connection Accessories to Power supply

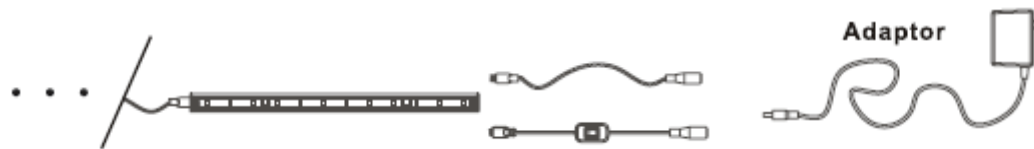
CL-L Bar-To-Adaptor Connector cable



CL-SW Bar-To-Adaptor connector cable with inline switch



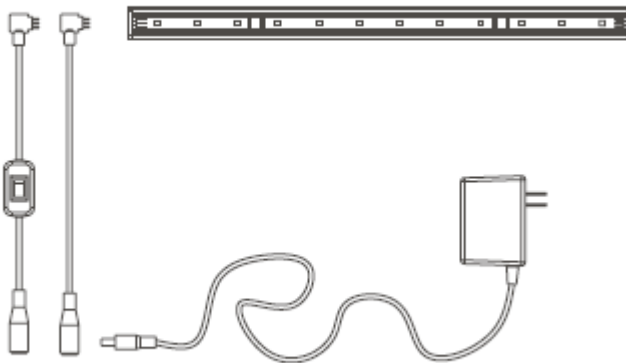
*Illustration CL-L/CL-SW*



CL-RA Bar-To-Adaptor connection cable



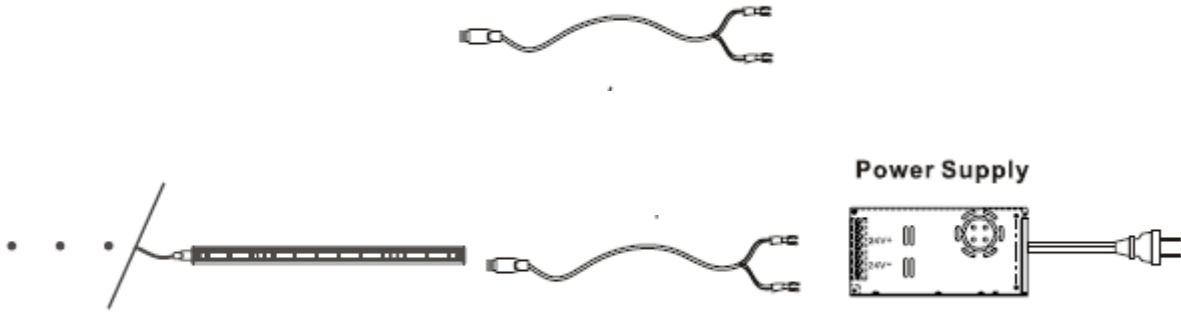
CL-RASW (Right Angle Pin plug) Bar-To-Adaptor connection cable with in-line switch





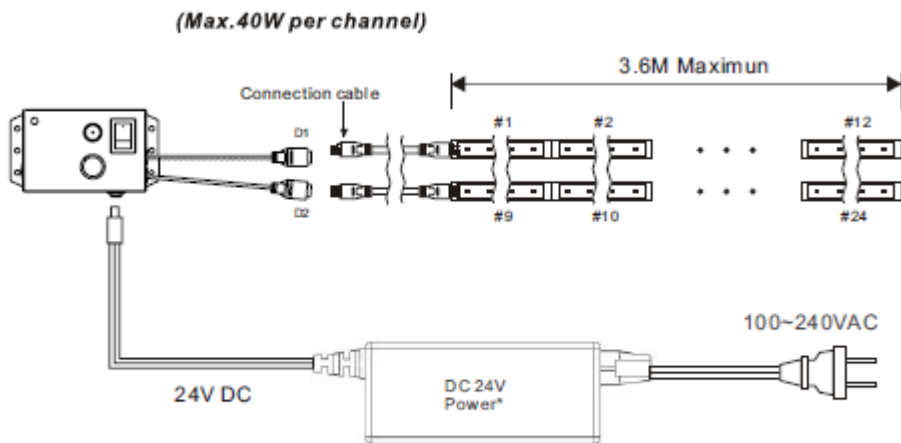
Web: [www.canadaleds.com](http://www.canadaleds.com)

CL-W Bar-To-Power Connection cable (2 Wires Out)



## Dimming System

Dimmer with 2 Channels



\*DC 24V power selection guide: Total wattage > (LightBar total wattage) \* 1.3

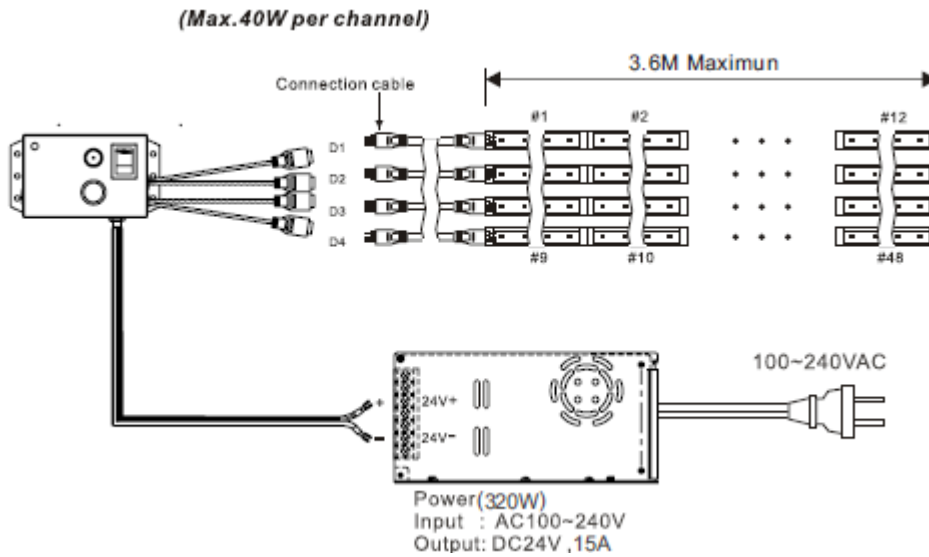


Web: [www.canadaleds.com](http://www.canadaleds.com)

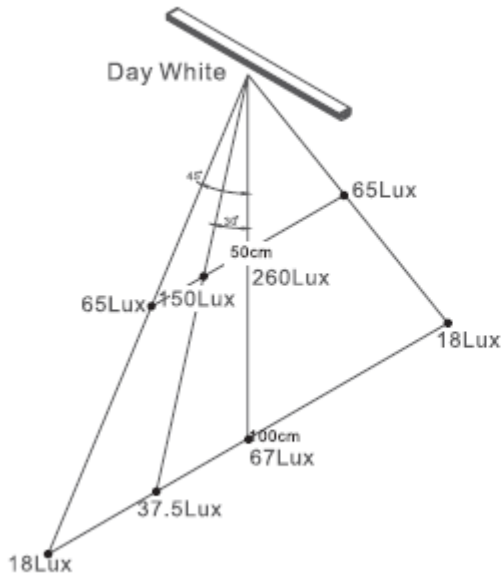
Dimmer with 4 Channels



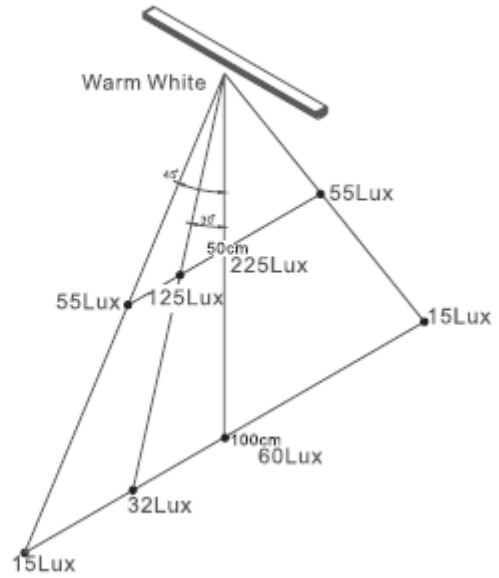
Maximum 40 Watts per Channel



**Illumination Chart:**



**Cool White** (Length 30 cms)



**Warm White** (Length 30 cms)



Web: [www.canadaleds.com](http://www.canadaleds.com)

**Luminance Distribution:**

